

Wayfinding Tiles

Finding the Way The Most Innovative System



Introducing the **Ultimate Solution™** in Tactile Walking Surface Indicators (TWSI). Access® Tile Wayfinding tiles have combined proven engineered polymers, processing and material technologies with innovative and intelligent design features to create the ultimate in wayfinding tiles. Maximized efficiencies in manufacturing, materials sourcing and product specifications deliver the most cost-effective solution in the industry. Access® Tile Wayfinding bar tiles are the industry leader for durability, weather and wear resistance and are available as replaceable cast in place tiles and surface applied tiles.

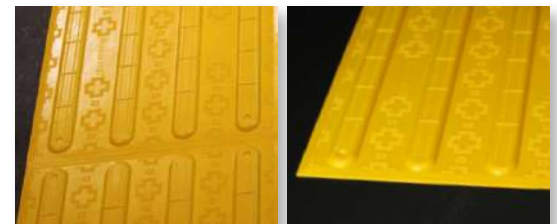
Wayfinding tiles products for the following and many more applications:

- Leading to doorways or transit stops
- Sidewalks/outdoor walkways
- Top of stair landings
- Escalator approaches
- Transit platforms
- Multi-Modal transit stations
- Elevator call buttons

COMPLIANCE

Kinesik Engineered Products Incorporated is in full compliance with Canadian Accessibility Codes. The full product range of Kinesik tactile walking surface indicators meet the most recent AODA, CSA, ISO, provincial and national building codes. Kinesik Engineered Products Incorporated is your one stop source for all tactile systems for internal and external applications. Only Kinesik provides a complete range of products designed for safety, convenience and code compliance.

See back for details.

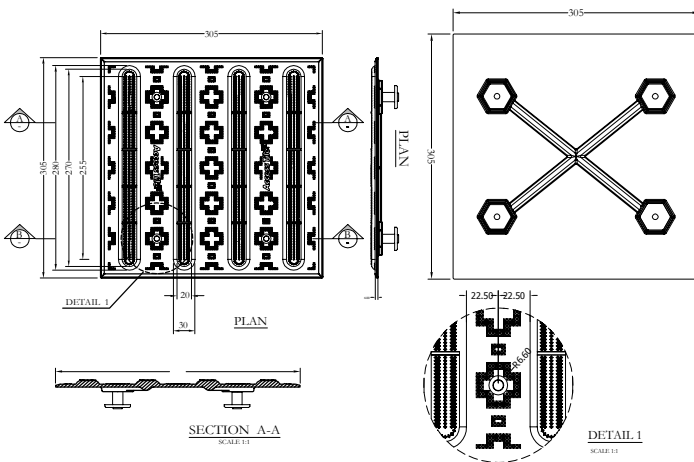


PRODUCT FEATURES

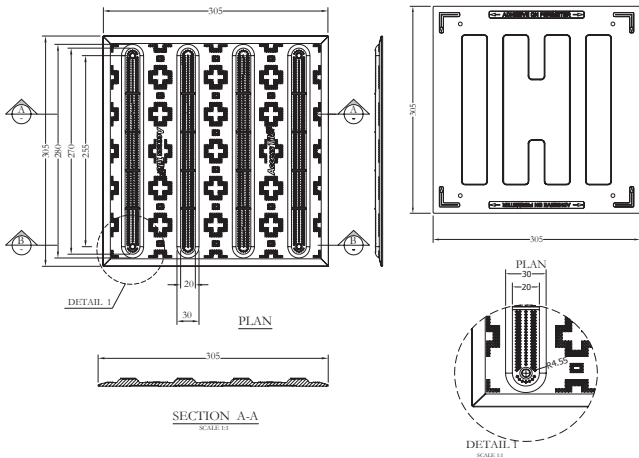
- A cost effective method of retrofitting existing sidewalks
- Cast in place replaceable and surface applied options
- A complete system is shipped with the tiles; adhesive & colour match fasteners/anchors
- Light weight and easy to handle
- Easily cut to conform to various sizes and radius ramps
- Comes in six (6) standard colours with Federal colour identification numbers
- 5 year manufacturer's warranty



Wayfinding Cast in Place Replaceable Plans & Details



Wayfinding Surface Applied Plans & Details



KINESIK Engineered Products Incorporated

2213 North Sheridan Way
Mississauga, Ontario L5K 1A3
Canada

Phone: 855.364.7763
Fax: 800.769.4463
www.kinesik.ca

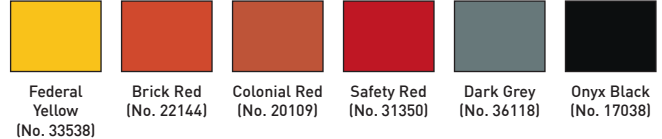
Distributor

PROFESSIONAL ASSOCIATIONS

Kinesik is proud to be a member of the following organisations



STANDARD COLOURS



Custom colours available. Let us know how we can help.

TILE SPECIFICATIONS

Test	Description	Requirements
AASHTO HS20-44	Wheel Load Tests	4,722 kg
ASTM D 695	Compressive Strength	≥ 172 MPa
ASTM D 790	Flexural Strength	≥ 207 MPa
ASTM D 638	Tensile Strength	≥ 131 MPa
ASTM D 696	Coefficient of Thermal Expansion	≥ 2300 J/m
ASTM C 1028	Static Coefficient of Friction	≥ 0.8 wet/dry
ASTM E 84	Flame Spread Index	≤ 25
ASTM D 570	Water Absorption	≤ 0.05%
ASTM C 501	Abrasive Wear Index Iw	> 500
ASTM G 155	Accelerated Weathering	ΔE < 5
ASTM C 1026	Freeze/thaw	No effect
ASTM B 117	Salt Spray (300 hrs)	No effect
ASTM D 1037	Accelerated Aging Cycle Testing	No effect
ASTM D 543	Chemical Resistance	No effect

STANDARD WAYFINDING SIZES

Cast in Place Replaceable Wayfinding Tile	12"x12" (305 mm x 305 mm)
Surface Applied Wayfinding Tile	12"x12" (305 mm x 305 mm)

APPLICATIONS

TWSI – Wayfinding Bars

- Located in large open floor areas, such as shopping malls or transportation terminals, to facilitate wayfinding by indicating the primary routes of travel.
- The indicated routes should lead from the entrance to major destinations, such as an information kiosk, registration desk, stairway, elevator, escalators, or to store or service doors.