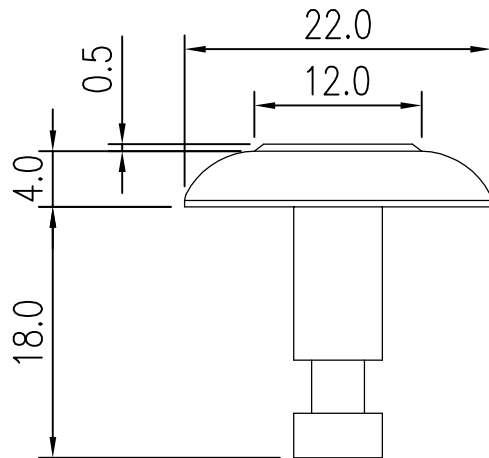


**TOP VIEW**  
SCALE: N.T.S.



**SIDE VIEW**  
SCALE: N.T.S.



**ISOMETRIC VIEW**  
N.T.S.

**KINESIK**

ENGINEERED PRODUCTS

www.kinesik.ca

● KINESIK ENGINEERED PRODUCTS

CONFIDENTIAL AND PROPRIETARY DOCUMENT  
ANY ONE OR MORE OF THE FOLLOWING PATENTS MAY APPLY  
U.S. PATENT NO. 5 303 669, 5 775 835, 6 449 790, AND  
6 895 622 BS,  
C.D.N. PATENT NO. 2 032 532, 2 070 984,  
US PATENTS PENDING.

© KENNETH E. SZEKELY

ITEM	DESCRIPTION	PART NO.	QTY
1	ADVANTAGE ONE TWSI DOME	ADV-D-1281-N	1

NOTE: ANCHORS ARE INCLUDED AND ASSEMBLED ON TILE.

REFERENCE DRAWINGS

DWG. NO.	DESCRIPTION

NO.	DATE	REVISION	APPR.

SCALE  
AS NOTED

DESIGNED	KES	DATE	08/14/15
DRAWN	AI		08/14/15
DRAWN	-		-

PROJECT MANAGER	DD
-----------------	----

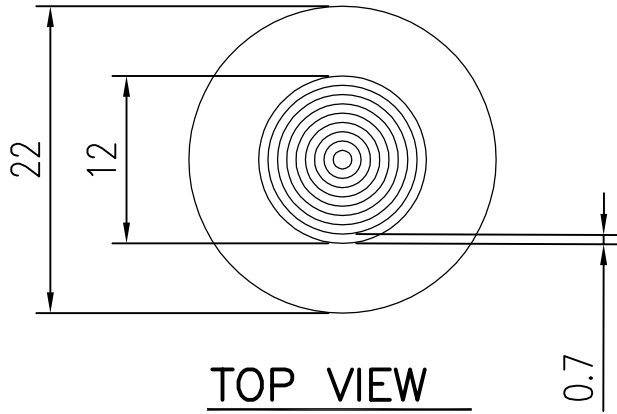
TRADE	TWSI	PART NO.	ADV-D-1281-N
-------	------	----------	--------------

MATERIAL  
STAINLESS STEEL 316 MARINE GRADE

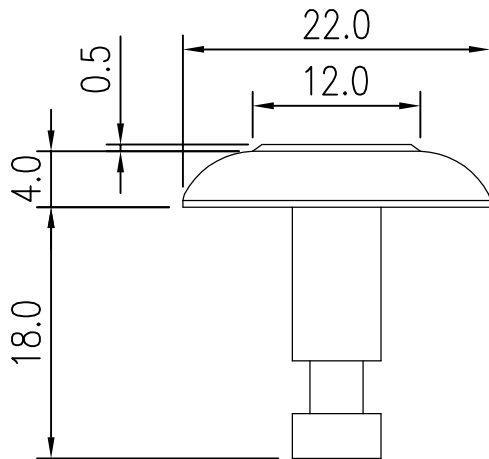
SUBJECT  
  
 TACTILE WALKING SURFACE INDICATORS

PROJECT  
 ADVANTAGE ONE  
 TACTILE WALKING SURFACE INDICATORS  
 TRUNCATED DOME ATTENTION INDICATOR W/  
 CONCENTRIC CIRCLES  
 PLAN AND DETAILS

DRAWING NO.	ADV-D-1281-N	REV. NO.	0
-------------	--------------	----------	---



**TOP VIEW**  
SCALE: N.T.S.



**SIDE VIEW**  
SCALE: N.T.S.



**ISOMETRIC VIEW**  
N.T.S.

AVAILABLE IN:

COLOUR	PART NO.
BLACK	ADV-D-1282-BK
YELLOW	ADV-D-1282-YW
RED	ADV-D-1282-RD
GREY	ADV-D-1282-GR
BLUE	ADV-D-1282-BL
CLEAR	ADV-D-1282-CL

**KINESIK**

ENGINEERED PRODUCTS

www.kinesik.ca

© KINESIK ENGINEERED PRODUCTS

CONFIDENTIAL AND PROPRIETARY DOCUMENT  
ANY ONE OR MORE OF THE FOLLOWING PATENTS MAY APPLY  
U.S. PATENT NO. 5 303 669, 5 775 835, 6 449 790, AND  
6 895 622 BS,  
C.D.N. PATENT NO. 2 032 532, 2 070 984,  
US PATENTS PENDING.

© KENNETH E. SZEKELY

ITEM	DESCRIPTION	PART NO.	QTY
1	ADVANTAGE ONE TWSI DOME	ADV-D-1282-N	1

NOTE: ANCHORS ARE INCLUDED AND ASSEMBLED ON TILE.

REFERENCE DRAWINGS

DWG. NO.	DESCRIPTION

NO.	DATE	REVISION	APPR.

SCALE  
AS NOTED

DESIGNED	KES	DATE	08/14/15
DRAWN	AI		08/14/15
DRAWN	-		-

PROJECT MANAGER	DD
TRADE	TWSI
PART NO.	ADV-D-1282-N

MATERIAL  
ANODIZED ALUMINUM

SUBJECT  
**Advantage One**  
TACTILE SYSTEMS  
TACTILE WALKING SURFACE INDICATORS

PROJECT  
ADVANTAGE ONE  
TACTILE WALKING SURFACE INDICATORS  
TRUNCATED DOME ATTENTION INDICATOR W/  
CONCENTRIC CIRCLES

PLAN AND DETAILS

DRAWING NO.	ADV-D-1282-N	REV. NO.	0
-------------	--------------	----------	---

# KINESIK

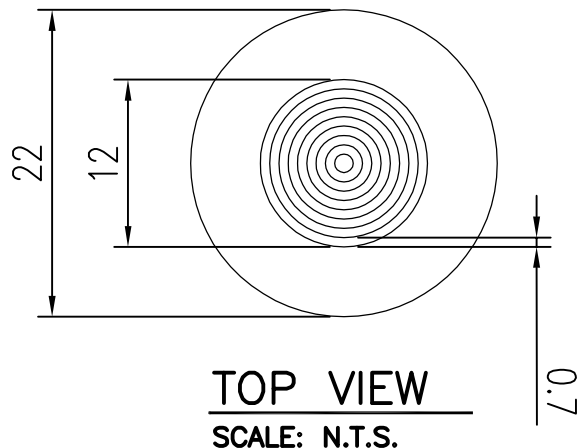
ENGINEERED PRODUCTS

www.kinesik.ca

© KINESIK ENGINEERED PRODUCTS

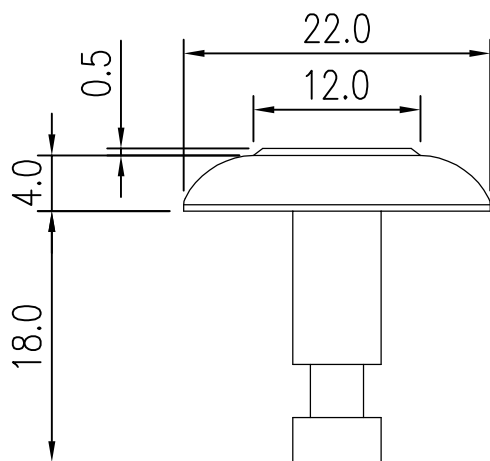
CONFIDENTIAL AND PROPRIETARY DOCUMENT  
 ANY ONE OR MORE OF THE FOLLOWING PATENTS MAY APPLY  
 U.S. PATENT NO. 5 303 669, 5 775 835, 6 449 790, AND  
 6 895 622 BS,  
 C.D.N. PATENT NO. 2 032 532, 2 070 984,  
 US PATENTS PENDING.

© KENNETH E. SZEKELY



**TOP VIEW**

SCALE: N.T.S.



**SIDE VIEW**

SCALE: N.T.S.



**ISOMETRIC VIEW**

N.T.S.

ITEM	DESCRIPTION	PART NO.	QTY
1	ADVANTAGE ONE TWSI DOME	ADV-D-1283-N	1

NOTE: ANCHORS ARE INCLUDED AND ASSEMBLED ON TILE.

REFERENCE DRAWINGS

DWG. NO.	DESCRIPTION

NO.	DATE	REVISION	APPR.

SCALE

AS NOTED

DESIGNED	KES	DATE	08/14/15
----------	-----	------	----------

DRAWN	AI	DATE	08/14/15
-------	----	------	----------

DRAWN	-	DATE	-
-------	---	------	---

PROJECT MANAGER	DD
-----------------	----

TRADE	TWSI	PART NO.	ADV-D-1283-N
-------	------	----------	--------------

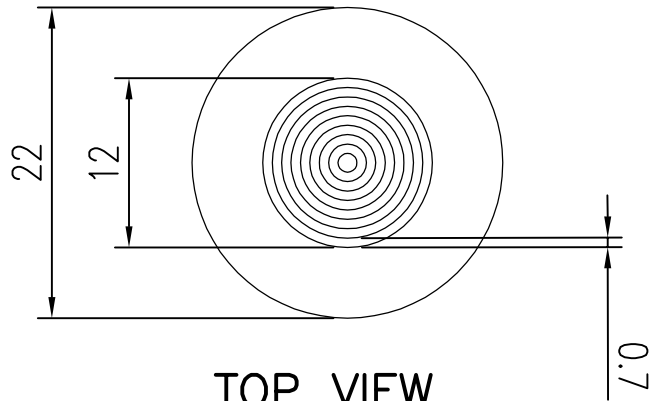
MATERIAL  
BRASS

SUBJECT  
  
 TACTILE WALKING SURFACE INDICATORS

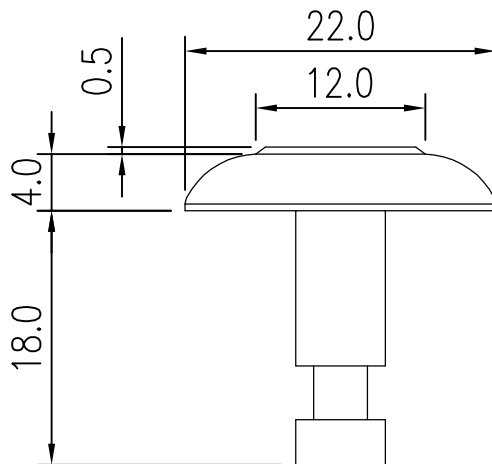
PROJECT  
 ADVANTAGE ONE  
 TACTILE WALKING SURFACE INDICATORS  
 TRUNCATED DOME ATTENTION INDICATOR W/  
 CONCENTRIC CIRCLES

PLAN AND DETAILS

DRAWING NO.	ADV-D-1283-N	REV. NO.	0
-------------	--------------	----------	---



**TOP VIEW**  
SCALE: N.T.S.



**SIDE VIEW**  
SCALE: N.T.S.



**ISOMETRIC VIEW**  
N.T.S.

POLYMER RING AVAILABLE IN:

COLOUR	PART NO.
BLACK	ADV-D-1286-BK
YELLOW	ADV-D-1286-YW

**KINESIK**

ENGINEERED PRODUCTS

www.kinesik.ca

● KINESIK ENGINEERED PRODUCTS

CONFIDENTIAL AND PROPRIETARY DOCUMENT  
ANY ONE OR MORE OF THE FOLLOWING PATENTS MAY APPLY  
U.S. PATENT NO. 5 303 669, 5 775 835, 6 449 790, AND  
6 895 622 BS,  
C.D.N. PATENT NO. 2 032 532, 2 070 984,  
US PATENTS PENDING.

© KENNETH E. SZEKELY

ITEM	DESCRIPTION	PART NO.	QTY
1	ADVANTAGE ONE TWSI DOME	ADV-D-1286-N	1

NOTE: ANCHORS ARE INCLUDED AND ASSEMBLED ON TILE.

REFERENCE DRAWINGS

DWG. NO.	DESCRIPTION

NO.	DATE	REVISION	APPR.

SCALE

AS NOTED

DESIGNED	KES	DATE	08/14/15
DRAWN	AI		08/14/15
DRAWN	-		-

PROJECT MANAGER	DD
-----------------	----

TRADE	TWSI	PART NO.	ADV-D-1286-N
-------	------	----------	--------------

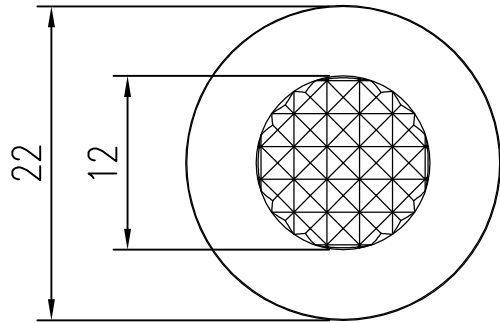
MATERIAL	STAINLESS STEEL 316 MARINE GRADE
----------	----------------------------------

SUBJECT	 TACTILE WALKING SURFACE INDICATORS
---------	---

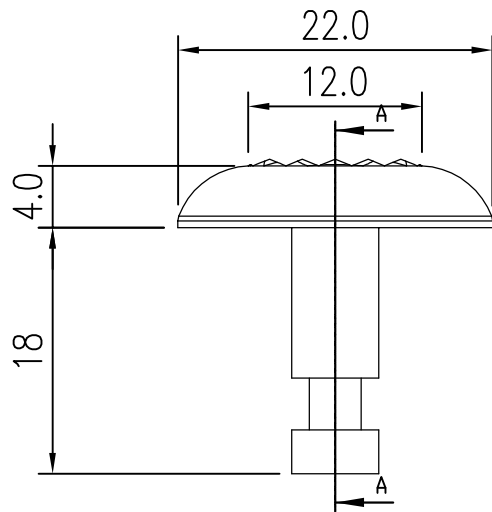
PROJECT	ADVANTAGE ONE TACTILE WALKING SURFACE INDICATORS TRUNCATED DOME ATTENTION INDICATOR W/ CONCENTRIC CIRCLES AND POLYMER RING
---------	---

PLAN AND DETAILS

DRAWING NO.	ADV-D-1286-N	REV. NO.	0
-------------	--------------	----------	---



**TOP VIEW**  
SCALE: N.T.S.



**SIDE VIEW**  
SCALE: N.T.S.



**ISOMETRIC VIEW**  
N.T.S.

**KINESIK**

ENGINEERED PRODUCTS

www.kinesik.ca

● KINESIK ENGINEERED PRODUCTS

CONFIDENTIAL AND PROPRIETARY DOCUMENT  
ANY ONE OR MORE OF THE FOLLOWING PATENTS MAY APPLY  
U.S. PATENT NO. 5 303 669, 5 775 835, 6 449 790, AND  
6 895 622 BS,  
C.D.N. PATENT NO. 2 032 532, 2 070 984,  
US PATENTS PENDING.

© KENNETH E. SZEKELY

ITEM	DESCRIPTION	PART NO.	QTY
1	ADVANTAGE ONE TWSI DOME	ADV-D-2281-N	1

NOTE: ANCHORS ARE INCLUDED AND ASSEMBLED ON TILE.

REFERENCE DRAWINGS

DWG. NO.	DESCRIPTION

NO.	DATE	REVISION	APPR.

SCALE

AS NOTED

DESIGNED	KES	DATE	08/14/15
DRAWN	AI		08/14/15
DRAWN	-		-

PROJECT MANAGER

TRADE	TWSI	PART NO.	ADV-D-2281-N
-------	------	----------	--------------

MATERIAL  
STAINLESS STEEL 316 MARINE GRADE

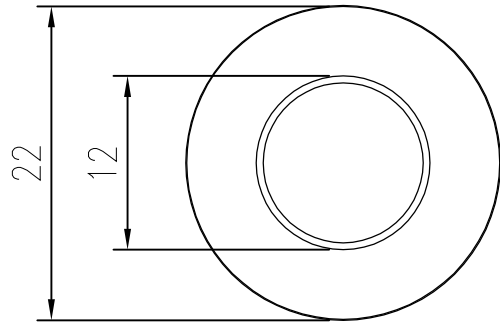
SUBJECT  
**Advantage One**  
TACTILE SYSTEMS  
TACTILE WALKING SURFACE INDICATORS

PROJECT

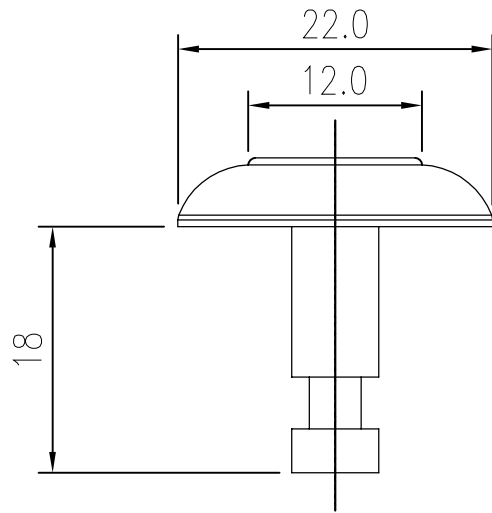
ADVANTAGE ONE  
TACTILE WALKING SURFACE INDICATORS  
TRUNCATED DOME ATTENTION INDICATOR W/  
CROSS HATCH

PLAN AND DETAILS

DRAWING NO.	ADV-D-2281-N	REV. NO.	0
-------------	--------------	----------	---



**TOP VIEW**  
SCALE: N.T.S.



**SIDE VIEW**  
SCALE: N.T.S.



**ISOMETRIC VIEW**  
N.T.S.



ENGINEERED PRODUCTS

www.kinesik.ca

● KINESIK ENGINEERED PRODUCTS  
 CONFIDENTIAL AND PROPRIETARY DOCUMENT  
 ANY ONE OR MORE OF THE FOLLOWING PATENTS MAY APPLY  
 U.S. PATENT NO. 5 303 669, 5 775 835, 6 449 790, AND  
 6 895 622 BS,  
 C.D.N. PATENT NO. 2 032 532, 2 070 984,  
 US PATENTS PENDING.

© KENNETH E. SZEKELY

ITEM	DESCRIPTION	PART NO.	QTY
1	ADVANTAGE ONE TWSI DOME	ADV-D-5281-N	1

NOTE: ANCHORS ARE INCLUDED AND ASSEMBLED ON TILE.

REFERENCE DRAWINGS	
DWG. NO.	DESCRIPTION

NO.	DATE	REVISION	APPR.

SCALE  
AS NOTED

DESIGNED	KES	DATE	08/14/15
DRAWN	AI		08/14/15
DRAWN	-		-

PROJECT MANAGER DD

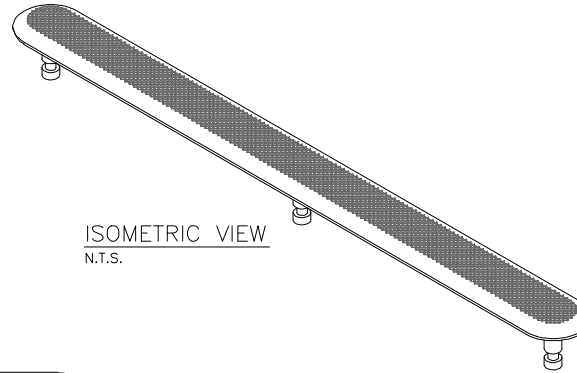
TRADE TWSI PART NO. ADV-D-5281-N

MATERIAL STAINLESS STEEL 316 MARINE GRADE

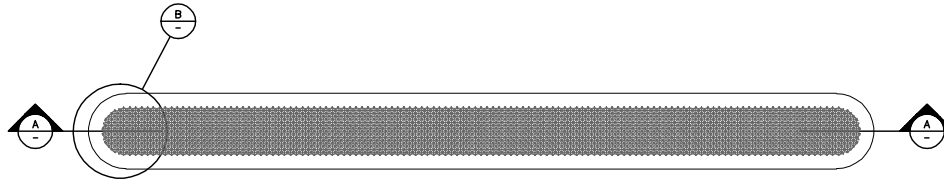
SUBJECT  
  
 TACTILE WALKING SURFACE INDICATORS

PROJECT  
 ADVANTAGE ONE  
 TACTILE WALKING SURFACE INDICATORS  
 TRUNCATED DOME ATTENTION INDICATOR W/  
 CARBORUNDUM CENTER  
 PLAN AND DETAILS

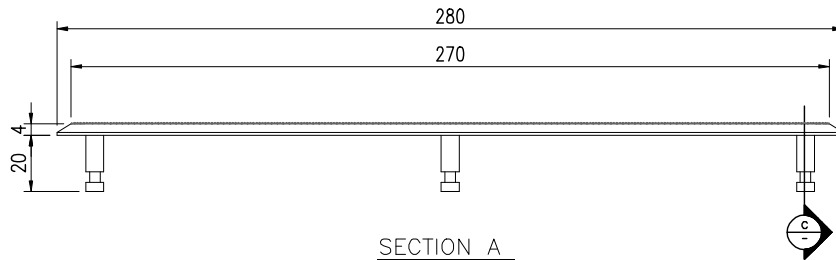
DRAWING NO.	ADV-D-5281-N	REV. NO.	0
-------------	--------------	----------	---



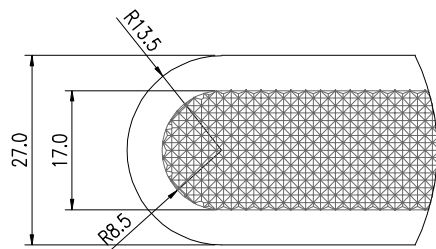
ISOMETRIC VIEW  
N.T.S.



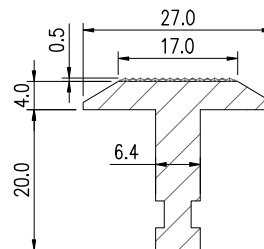
TOP VIEW  
SCALE: 1:2.5



SECTION A  
SCALE: 1:2.5



DETAIL B  
SCALE: 1:1



SECTION C  
SCALE: 1:1



ENGINEERED PRODUCTS

www.kinesik.ca

● KINESIK ENGINEERED PRODUCTS

CONFIDENTIAL AND PROPRIETARY DOCUMENT  
ANY ONE OR MORE OF THE FOLLOWING PATENTS MAY APPLY  
U.S. PATENT NO. 5 303 669, 5 775 835, 6 449 790, AND  
6 895 622 BS,  
C.D.N. PATENT NO. 2 032 532, 2 070 984,  
US PATENTS PENDING.

© KENNETH E. SZEKELY

ITEM	DESCRIPTION	PART NO.	QTY
1	ADVANTAGE ONE TWSI BAR	ADV-B-2281-N	1

REFERENCE DRAWINGS

DWG. NO.	DESCRIPTION

NO.	DATE	REVISION	APPR.

SCALE  
AS NOTED

DESIGNED	KES	DATE	M/D/Y
DRAWN	RWO		M/D/Y
DRAWN	KES		M/D/Y

PROJECT MANAGER	
TRADE	TWSI
PART NO.	ADV-B-2281-N

MATERIAL  
STAINLESS STEEL 316 MARINE GRADE

SUBJECT  
**Advantage One**  
Tactile Systems  
TACTILE WALKING SURFACE INDICATORS

PROJECT  
ADVANTAGE ONE  
TACTILE WALKING SURFACE INDICATORS  
FLAT-TOPPED GUIDANCE BAR W/ CROSS HATCH  
280mm X 27mm  
PLAN AND DETAILS

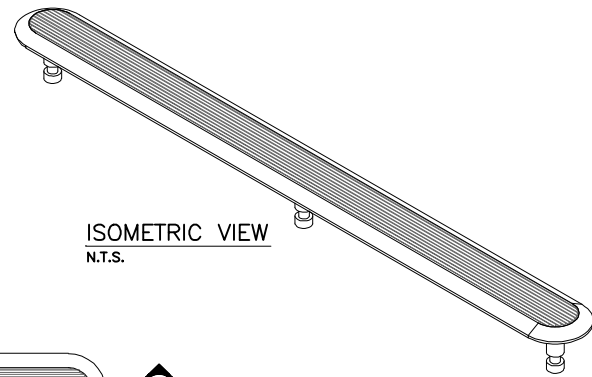
DRAWING NO.	ADV-B-2281-N	REV. NO.	0
-------------	--------------	----------	---



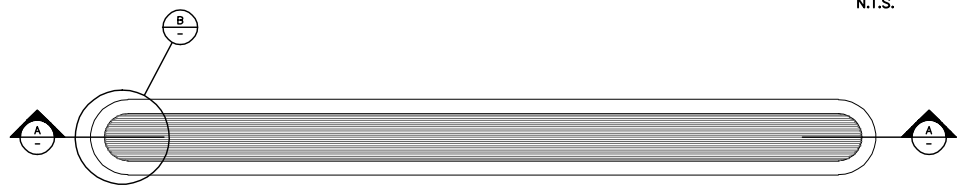
**ENGINEERED PRODUCTS**

www.kinesik.ca

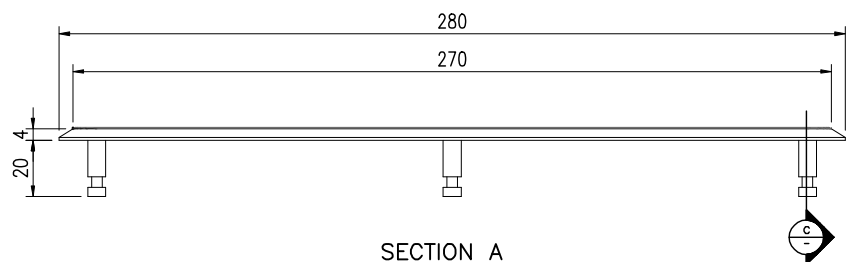
● KINESIK ENGINEERED PRODUCTS  
 CONFIDENTIAL AND PROPRIETARY DOCUMENT  
 ANY ONE OR MORE OF THE FOLLOWING PATENTS MAY APPLY  
 U.S. PATENT NO. 5 303 669, 5 775 835, 6 449 790, AND  
 6 895 622 BS,  
 C.D.N. PATENT NO. 2 032 532, 2 070 984,  
 US PATENTS PENDING.  
 © KENNETH E. SZEKELY



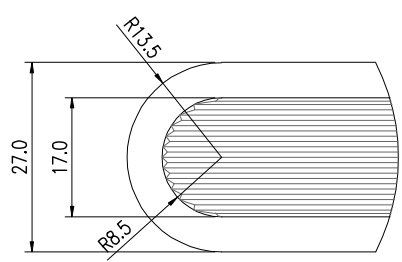
ISOMETRIC VIEW  
N.T.S.



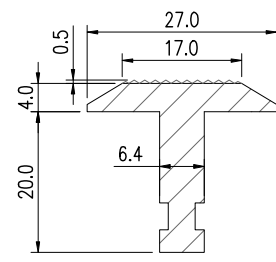
TOP VIEW  
SCALE: 1:2.5



SECTION A  
SCALE: 1:2.5



DETAIL B  
SCALE: 1:1



SECTION C  
SCALE: 1:1

ITEM	DESCRIPTION	PART NO.	QTY
1	ADVANTAGE ONE TWSI BAR	ADV-B-3281-N	1

NOTE: ANCHORS ARE INCLUDED AND ASSEMBLED ON TILE.

REFERENCE DRAWINGS	
DWG. NO.	DESCRIPTION

NO.	DATE	REVISION	APPR.

SCALE  
AS NOTED

DESIGNED	KES	DATE	M/D/Y
DRAWN	RWO		M/D/Y
DRAWN	KES		M/D/Y

PROJECT MANAGER	
TRADE	TWSI
PART NO.	ADV-B-3281-N

MATERIAL  
STAINLESS STEEL 316 MARINE GRADE

SUBJECT  
  
TACTILE WALKING SURFACE INDICATORS

PROJECT  
 ADVANTAGE ONE  
 TACTILE WALKING SURFACE INDICATORS  
 FLAT-TOPPED GUIDANCE BAR W/ LINEAR GROOVES  
 280mm X 27mm  
 PLAN AND DETAILS

DRAWING NO.	ADV-B-3281-N	REV. NO.	0
-------------	--------------	----------	---





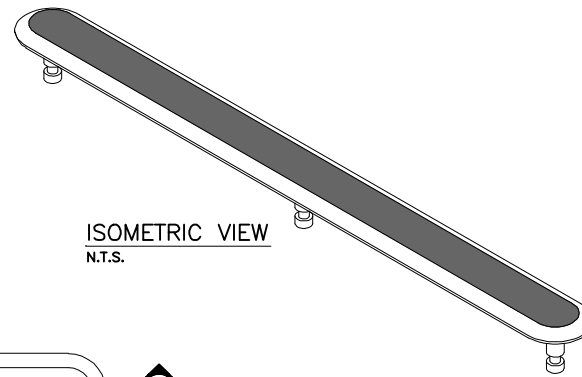
**ENGINEERED PRODUCTS**

www.kinesik.ca

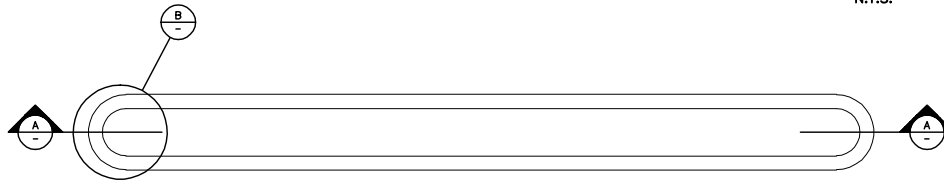
● KINESIK ENGINEERED PRODUCTS

CONFIDENTIAL AND PROPRIETARY DOCUMENT  
 ANY ONE OR MORE OF THE FOLLOWING PATENTS MAY APPLY  
 U.S. PATENT NO. 5 303 669, 5 775 835, 6 449 790, AND  
 6 895 622 BS,  
 C.D.N. PATENT NO. 2 032 532, 2 070 984,  
 US PATENTS PENDING.

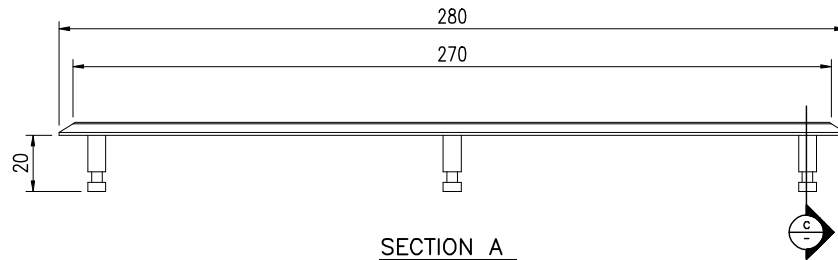
© KENNETH E. SZEKELY



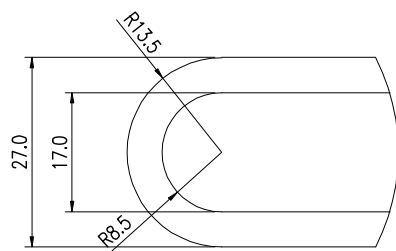
ISOMETRIC VIEW  
N.T.S.



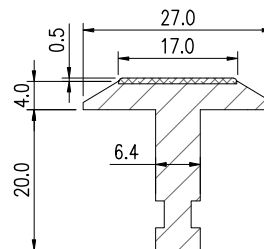
TOP VIEW  
SCALE: 1:2.5



SECTION A  
SCALE: 1:2.5



DETAIL B  
SCALE: 1:1



SECTION C  
SCALE: 1:1

ITEM	DESCRIPTION	PART NO.	QTY
1	ADVANTAGE ONE TWSI BAR	ADV-B-5281-N	1

NOTE: ANCHORS ARE INCLUDED AND ASSEMBLED ON TILE.

REFERENCE DRAWINGS

DWG. NO.	DESCRIPTION

NO.	DATE	REVISION	APPR.

SCALE  
AS NOTED

DESIGNED	KES	DATE	M/D/Y
DRAWN	RWO		M/D/Y
DRAWN	KES		M/D/Y

PROJECT MANAGER	
TRADE	TWSI
PART NO.	ADV-B-5281-N

MATERIAL  
STAINLESS STEEL 316 MARINE GRADE

SUBJECT  
  
 TACTILE WALKING SURFACE INDICATORS

PROJECT  
 ADVANTAGE ONE  
 TACTILE WALKING SURFACE INDICATORS  
 FLAT-TOPPED GUIDANCE BAR W/ CARBORUNDUM  
 280mm X 27mm  
 PLAN AND DETAILS

DRAWING NO.	ADV-B-5281-N	REV. NO.	0
-------------	--------------	----------	---