



Designed for flexibility Engineered to last

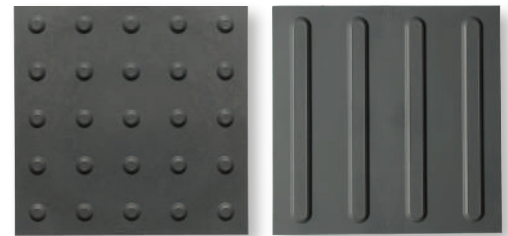
Eon[®] Tile is a durable and flexible tactile indicator chosen first by professionals who design and construct the finest commercial, institutional and public environments.

Eon[®] Tile is state of the art polymers compounded together to create category leading quality and a contemporary look and finish. Suitable for a variety of applications such as airport concourses, railway stations, shopping centres, department stores, supermarkets, hospitals, swimming pools, schools, banks, community centres or most any high traffic environment. Eon[®] Tile's line of products offer attention indicators (truncated domes) for warning and tactile direction indicators for way finding. Eon[®] Tile is part of the newest generation of excellence in warning surfaces from Kinesik Engineered Products Incorporated.

COMPLIANCE

Kinesik Engineered Products Incorporated is in full compliance with Canadian Accessibility Codes. The full product range of Kinesik tactile walking surface indicators meet the most recent AODA, CSA, ISO, provincial and national building codes. Kinesik Engineered Products Incorporated is your one stop source for all tactile systems for internal and external applications. Only Kinesik provides a complete range of products designed for safety, convenience and code compliance.

See back for details.



PRODUCT FEATURES

- Made from premium long lasting polymers
- Flexible tiles will form to curved surfaces
- Flexible tiles become stable once bound to most surfaces
- Easily worked and shaped
- Appropriate for both initial installation, and surface retrofit
- UV resistant for colour stability and ensures optimal visual surface contrast
- Conforms to contrast requirements (based on adjacent surfaces)
- 5 year manufacturer's warranty



PROFESSIONAL ASSOCIATIONS

Kinesik is proud to be a member of the following organisations



STANDARD COLOURS



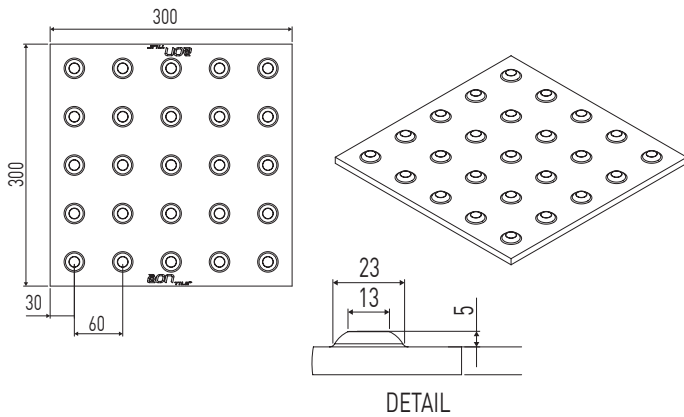
Ivory

Vogue Black

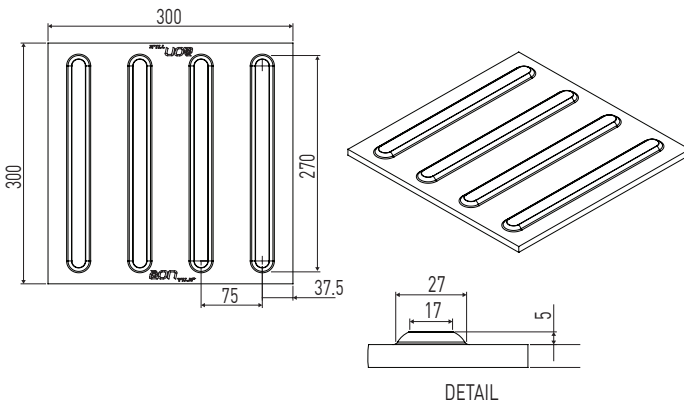
Smoke Grey

HiVis Yellow

Tactile Attention Indicator with Truncated Domes



Tactile Direction Indicator with Guidance Bars



Available in 3mm and 5mm thicknesses

TILE SPECIFICATIONS

Test	Description	Requirements
Antimicrobial Test	ASTM E2180	Pass
Fungi Test	ASTM G21	Pass
Tensile Strength	ASTM D412	0.17 MPa
Tensile Elongation	ASTM D412	700%
Tensile Stress	ASTM D412	6.9 MPa
Hardness (Shore A)	ASTM 2240	> 85
Shrinkage	ASTM D955	0.9-1.5%
Melt Temperature		190-210° C
Moisture Content		0.05%

APPLICATIONS

- | | |
|---|--|
| <p>Tactile Attention Indicator
Truncated Domes</p> | <ul style="list-style-type: none"> An unprotected drop off edge, such as a transit platform where the change in elevation is greater than 250mm or the slope is steeper than in a ratio of 1:3 (33%). The unprotected edges of a reflecting pool. An entry into a vehicular route or area where no curbs or other elements separate it from a pedestrian route such as curb ramps, wheel chair ramps, top of stairs/escalators and blended transitions. |
| <p>Tactile Direction Indicator
Guidance Bars</p> | <ul style="list-style-type: none"> Located in large open floor in large open floor areas, such as shopping malls or transportation terminals, to facilitate wayfinding by indicating the primary routes of travel. The indicated routes should lead from the entrance to major destinations, such as an information kiosk, registration desk, stairway, elevator, escalators, or to store or service doors. |

KINESIK Engineered Products Incorporated
2213 North Sheridan Way
Mississauga, Ontario L5K 1A3
Canada
Phone: 855.364.7763
Fax: 800.769.4463
www.kinesik.ca

Distributor