

## Designed for Accessibility

### TWSI WAYFINDING BARS

#### SURFACE APPLIED

Advantage One® Surface Applied Tactile Walking Surface Indicators are designed to provide an accessibility solution in many interior applications. In particular, Surface Applied can be used on the floor where TWSI are required; but the floor cannot be drilled into to secure Advantage One TWSI. Advantage One Surface® TWSI are stainless steel wayfinding bars with a rubber base that adheres to the floor with a self-adhering permanent tape. Like anchored Advantage One TWSI, Advantage One Surface Applied are machined from a solid piece of 316L Marine Grade Stainless Steel and are aesthetically pleasing, strong, and durable. They incorporate an integral texture in the stainless steel for permanent slip resistance. Advantage One Surface have undergone a series of rigorous tests to ensure they meet the standards specified in Provincial and National Building Codes. Advantage One® Surface Applied is specifically designed for use when drilling holes for the anchored version of Advantage One Bars is inappropriate or impossible. Each 4-bars box comes with a clear plastic template to use when installing in the prescribed bar pattern. Installation requires using a thin blade tool, like a pocketknife, to ensure a clean lift and peel off the tape cover at the base of each bar. Installation on the surface of the floor should occur right after the tape cover is removed to ensure maximum adhesion. The permanent tape adheres well to most floor surfaces: wood, concrete, ceramic tile, stone, and metal. However, the life span of the adhesion will be limited if automatic floor cleaners, blows, or shovels are used on them.

#### COMPLIANCE

Kinesik Engineered Products Incorporated is in full compliance with Canadian Accessibility Codes. The full product range of Kinesik tactile walking surface indicators meet the most recent AODA, CSA, ISO, provincial and national building codes. Kinesik Engineered Products Incorporated is your one stop source for all tactile systems for internal and external applications. Only Kinesik provides a complete range of products designed for safety, convenience and code compliance.



*sold in boxes of 50 bars*

*installation template*

#### PRODUCT FEATURES

- 316L, Marine grade stainless steel
- Innovative adhesive capture design
- Optimum anti-slip design
- 5 year manufacturer's warranty

Bars come in the following styles:

#### WAYFINDING BARS

- Concentric Rings Pattern
- Crosshatch Pattern
- Carborundum - Non-Slip



**PROFESSIONAL ASSOCIATIONS**

Kinesik is proud to be a member of the following organisations



**SPECIFICATIONS**

Advantage® ONE (TWSI) meets the following ASTM specifications: A182, A193, A276, A313, A314, A320, A479, A493 and A580.

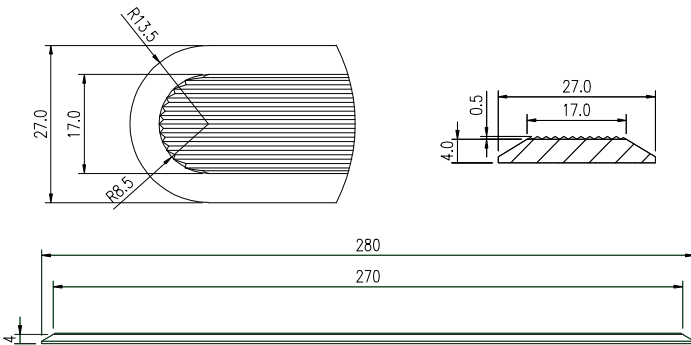
TEST	DESCRIPTION	REQUIREMENTS
ASTM C 1028-96	Static Coefficient of Friction	≥ 0.8 wet/dry
ASTM D 543-95	Chemical Resistance	No effect
ASTM D 2486-00	Abrasive Wear Gardener Tester	No wear
ASTM C 501-84	Abrasive Wear Taber Tester	No wear
AASHTO HB-17	Wheel Load Tests	No effect

**APPLICATIONS**

Tactile Direction Indicator Wayfinding Bars

- Located in large open floor in large open floor areas, such as shopping malls or transportation terminals, to facilitate wayfinding by indicating the primary routes of travel.
- The indicated routes should lead from the entrance to major destinations, such as an information kiosk, registration desk, stairway, elevator, escalators, or to store or service doors.

**Tactile Walking Surface Indicator (TWSI) Wayfinding Bars**



**ADVANTAGE ONE - INDIVIDUAL BARS**

BAR SIZE	PRODUCT CODE	CENTRE BAR PATTERN	MATERIAL
11" x 1" (280x27mm)	ADV-B-2281-N	Cross Hatch	Stainless Steel 316L
11" x 1" (280x27mm)	ADV-B-3281-N	Linear Grooves	Stainless Steel 316L
11" x 1" (280x27mm)	ADV-B-5281-N	Black Carbo-rundrum	Stainless Steel 316L

