

KINESIK

ENGINEERED PRODUCTS

www.kinesik.ca

● KINESIK ENGINEERED PRODUCTS
 PATENTS PENDING IN THE USA, CANADA AND
 INTERNATIONALLY. MANUFACTURED AND DISTRIBUTED
 BY ACCESS WORLD PRODUCTS INC.

ITEM	DESCRIPTION	PART NO.	QTY
1	ELAN TILE	ELAN-D-1212	1

REFERENCE DRAWINGS	
DMG. NO.	DESCRIPTION

NO.	DATE	REVISION	APPR.

SCALE AS NOTED

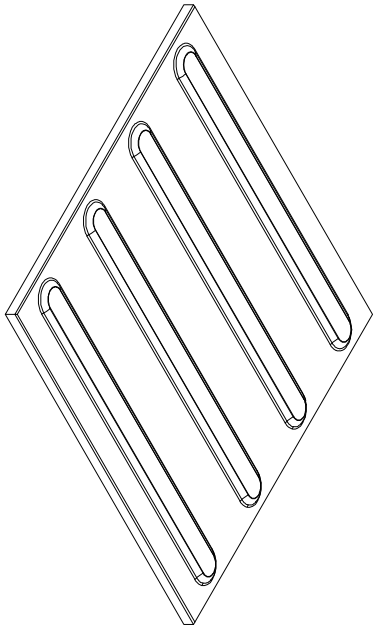
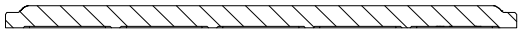
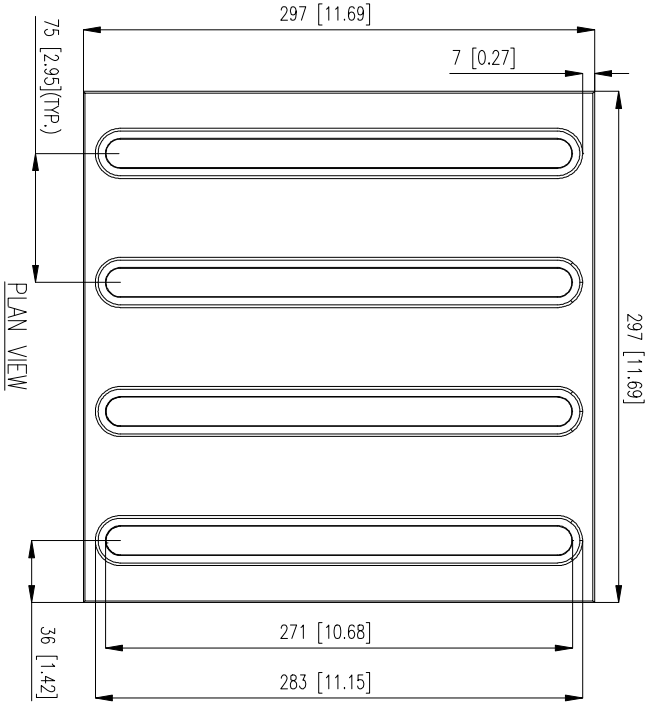
DESIGNED	KES	DATE	M/D/Y
DRAWN	RWO	M/D/Y	M/D/Y
DRAWN	KES	M/D/Y	M/D/Y

TRADE	TWSI	PART NO.	ELAN-D-1212
MATERIAL	DOUBLE LOADED FULL BODY PORCELAIN		

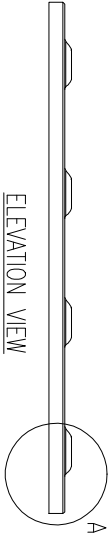
SUBJECT
ELAN™
 PORTUGAL: cerâmica inovadora
 PORCELAIN TACTILE WALKING
 SURFACE INDICATOR TILE

PROJECT
 TACTILE WALKING SURFACE INDICATOR TILE
 300x300 NOMINAL
 INLINE DOME ATTENTION TILE
 PLANS AND DETAILS

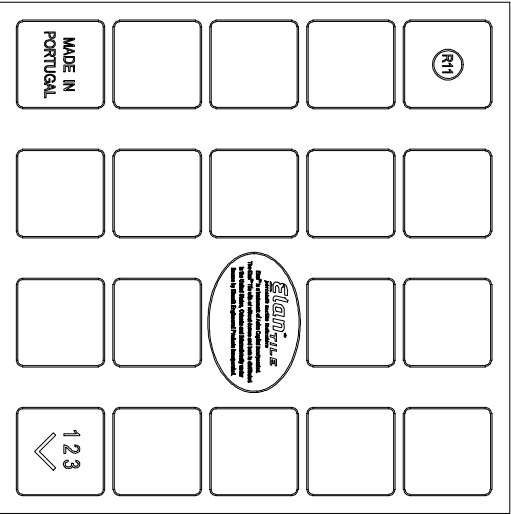
DRAWING NO.	REV. NO.
ELAN-D-1212	0



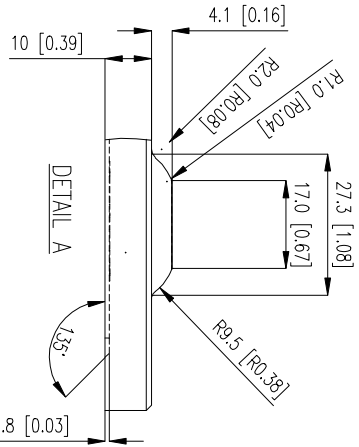
ISOMETRIC VIEW



ELEVATION VIEW



UNDERSIDE VIEW



DETAIL A

KINESIK
ENGINEERED PRODUCTS
 www.kinesik.ca

● KINESIK ENGINEERED PRODUCTS
 PATENTS PENDING IN THE USA, CANADA AND
 INTERNATIONALLY. MANUFACTURED AND DISTRIBUTED
 BY ACCESS WORLD PRODUCTS INC.

ITEM	DESCRIPTION	PART NO.	QTY
1	ELAN TILE	ELAN-B-1212	1

REFERENCE DRAWINGS	
DWG. NO.	DESCRIPTION

NO.	DATE	REVISION	APPR.

SCALE AS NOTED

DESIGNED	DATE
KES	M/D/Y
DRAWN	M/D/Y
DRAWN	M/D/Y
PROJECT MANAGER	M/D/Y
TRADE	PART NO.
TWSI	ELAN-B-1212

SUBJECT
 DOUBLE LOADED FULL BODY PORCELAIN
EIAN-TILE
 porcelain tactile indicators
 PORCELAIN TACTILE WALKING
 SURFACE INDICATOR TILE

PROJECT
 TACTILE WALKING SURFACE INDICATOR TILE
 300x300 NOMINAL
 INLINE BAR GUIDANCE TILE
 PLANS AND DETAILS

DRAWING NO.	REV. NO.
ELAN-B-1212	0